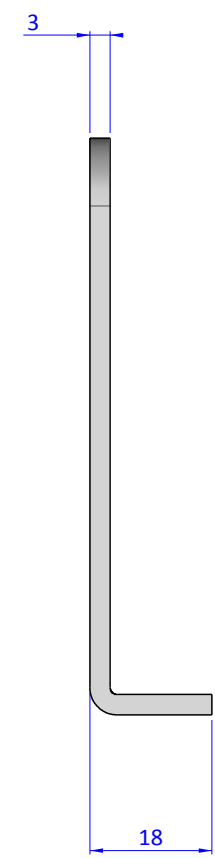
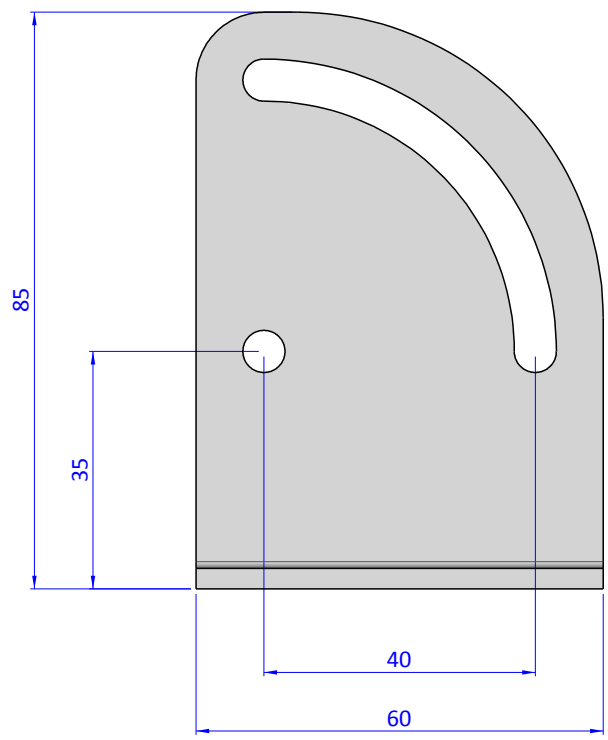
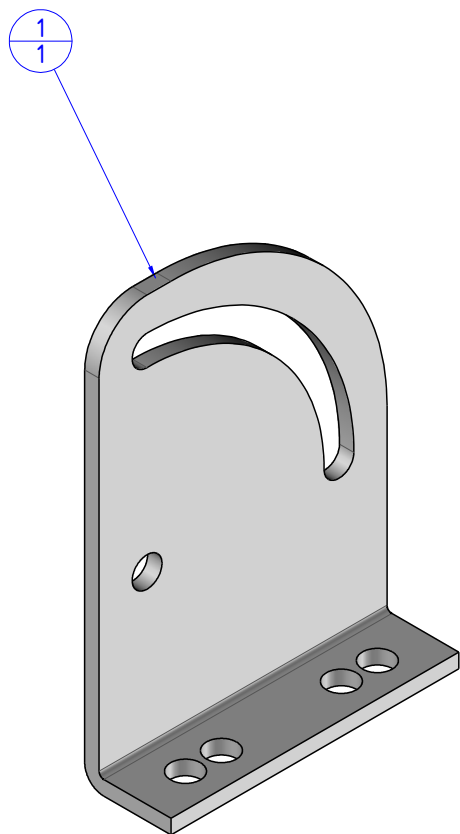

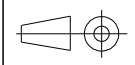


Item	Name	Q.ty
1	04.10.45.2	1



THE PROPERTY OF THE DRAWING IS ESTABLISHED BY LAW. IT IS FORBIDDEN TO PRODUCE OR SHOW IT TO THIRD PARTY, WITHOUT A WRITTEN AGREEMENT.

Format A3
UNI 936-76

 FPS <small>FPSERVICES AUTOMATION</small>			DESIGNED FROM FPS Automation	REVIEW A
GENERAL TOLERANCE UNI - ISO 2768 CLASSE f	DESCRIPTION CA.04.10.45.2		DATE 15/05/2019	WEIGHT 0,116kg
			CODE CA.04.10.45.2	